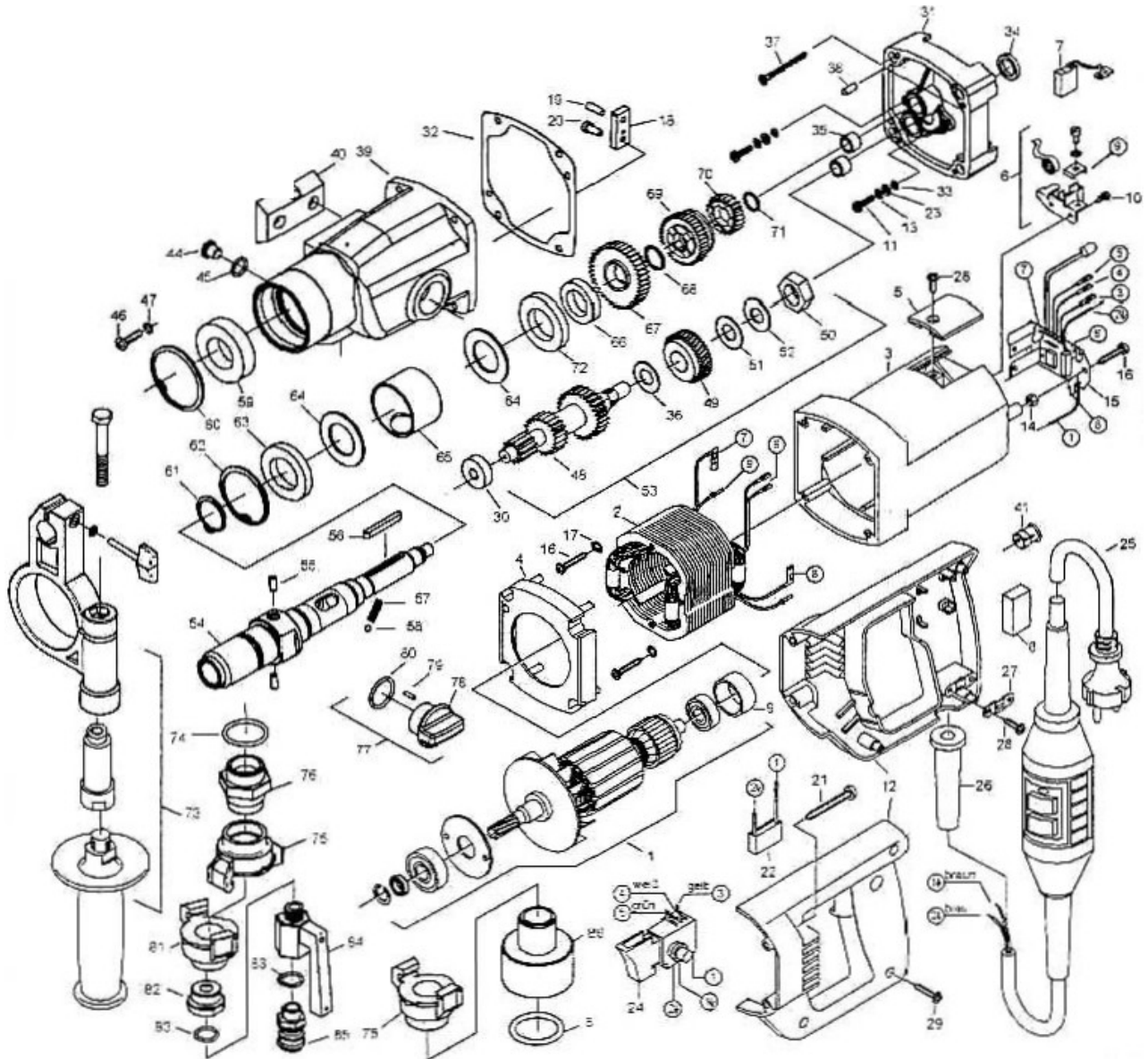


# CD-18 HAND HELD CORE DRILL

**U.S. DIAMOND, Inc.**  
**1.800.582.1429**  
**usdiamondtool.com**



CD-18 HAND HELD CORE DRILL



<b><u>POS. NO.</u></b>	<b><u>ITEM NO.</u></b>	<b><u>DESCRIPTION</u></b>	
2	73329150	Field - 110 Volt	
1	73335100	Armature - 110 Volt	
3	73320200	Motor Housing	
4	73320140	Air Guiding Ring	
5	80900073	Cover	
6	80201199	Carbon Brush Holder	
7	80700040	Carbon Brush	Replaces 8070019
8	73320210	Contact Washer	
9	73320315	Bearing Seal	
10	80201252	Screw, Self Tapping	
11	80201131	Screw	
12	73421261	Handle Halfs, Pair	
13	80200752	Washer	
14	80201295	Plastic Nut	
15	80601149	Circuit Board for ETN 152/3 P	
16	80201273	Screw	
17	80201362	Locking Disk	
18	73331542	Gear Changing Lever	
19	80200579	Cylindrical Pin	
20	9 1110 3080	Fillister Head Screw	Replaces 80201230
21	80201267	Screw	Replaces 050.0112
22	73320305	Condensor	
23	80201371	Washer	
24	80600116	Switch	
25	7332U262	Connecting Cable	
26	83000004	Cable Sleeve	
27	85000020	Clip	
28	80201270	Screw	
29	80201272	Screw	
30	80410015	Ball Bearing	See 9 1001 0090
31	73334610	End Plate	
32	82000059	Seal	
33	83000019	Ring	
34	83000042	Shaft Seal	
35	80420115	Needle Bearing	
36	80200716	Spring Washer	
37	80201275	Screw	
38	80200584	Pin	
39	73334400	Housing	
40	73334410	Plate	
41	80601153	Holder	
43	80201173	Screw	
44	80201406	Screw	
45	83000106	Seal	

CD-18 HAND HELD CORE DRILL

**U.S. DIAMOND, Inc.**  
**1.800.582.1429**  
**usdiamondtool.com**

<b><u>POS. NO.</u></b>	<b><u>ITEM NO.</u></b>	<b><u>DESCRIPTION</u></b>	
46	80201121	Screw	
47	80201302	Spring Ring	
48	73331490	Intermediate Shaft	
49	73331560	Gear with Bushing	Replaces 73331495
50	80201011	Nut	
51	73331499	Clutch Washer	
52	85000086	Disk	
53	73331493	clutch	
54	73334420	Spindle	
55	80200574	Straight Pin	
56	80200612	Fitting Key	See 254 046
57	80200698	Spring, 0.5 x 3.8 x 8.0 x 5.5	
58	80410082	Ball	
59	80410155	grooved ball bearing	
60	80201337	Locking Ring	
61	80201328	locking ring	
62	80201336	Locking Ring	
63	83000029	Sealing Ring	
64	73334425	Stripper	
65	73334423	Distance Ring	
66	83000077	Shaft Seal	
67	73331460	Gear	
68	80200746	Seeger Ring	
69	73331550	Control Gear	
70	73331470	Gear	
71	80200747	Seeger Ring	
72	83000094	Seal	
73	73334695	Handle Complete	
74	83000120	Sealing Ring	
75	83000129	Connector	
76	73334405	Double Threaded Nipple	
77	73331545	Gear Change Complete	
78	73331540	Knob	
79	80200577	Cylindrical Pin	
80	83000036	O-Ring	Replaces 050.0116
81	83000133	Ball Valve	
82	73334407	Bushing	
83	251 648	Valve Ring-#52662&65205	#9 2126 0140 & 9 2126 0120
85	256 573	Water Valve	
86	251 650	Brass Nipple	Replaces 83000104 & 76RK497
87	83000047	O-Ring	